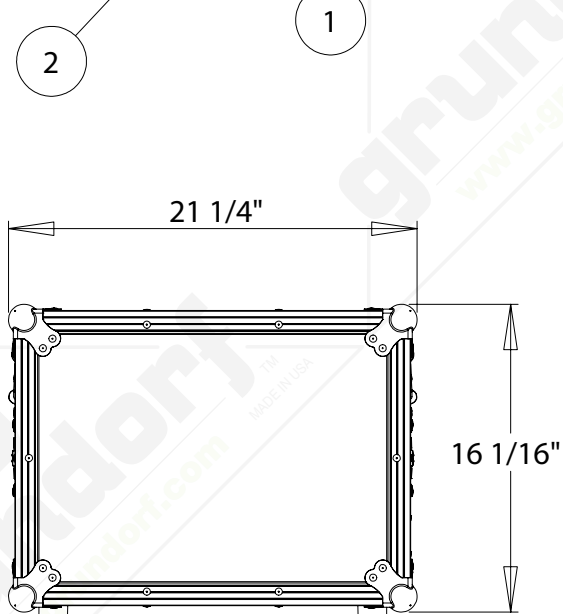
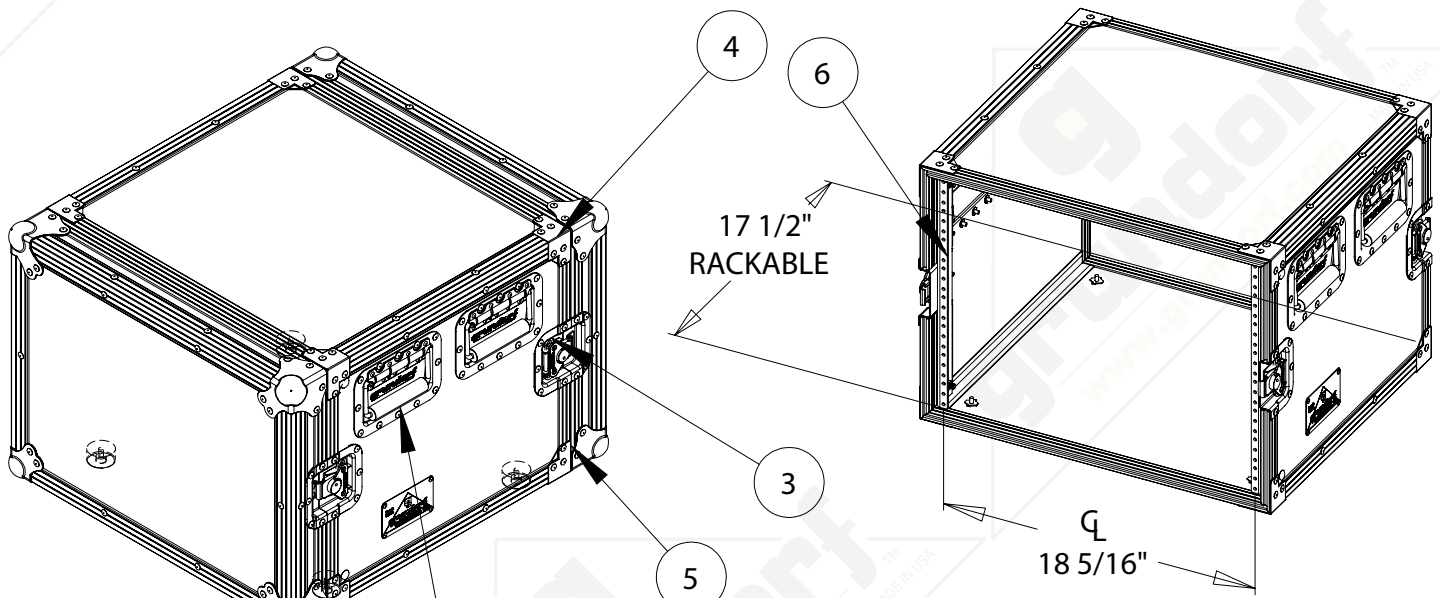
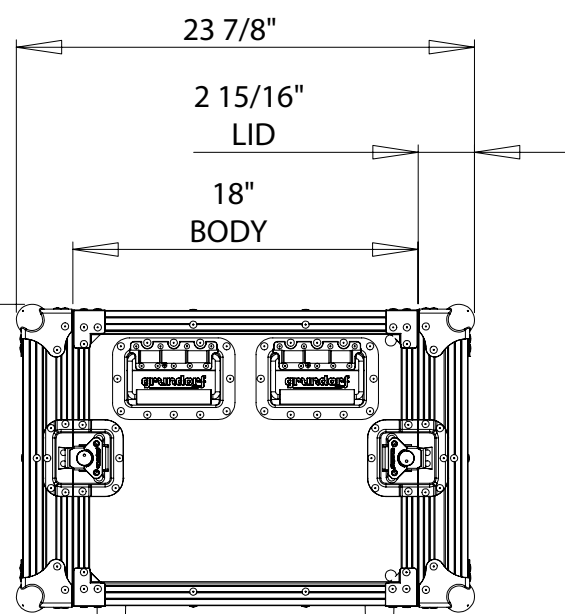


| # | Qty | PART NUMBER | DESCRIPTION                    |
|---|-----|-------------|--------------------------------|
| 1 | 4   | 31-005      | HANDLE - RECESSED/LOGO/ZINC    |
| 2 | 8   | 32-016      | CORNER - BALL/WITH CLAMP/ZINC  |
| 3 | 4   | 34-013      | CATCH - RECESSED W/OFFSET/ZINC |
| 4 | 8   | 35-007      | CLAMP - SMALL/OFFSET           |
| 5 | 4   | 40-001      | FOOT - RUBBER/1-1/2"           |
| 6 | 2   | 41-008      | RACK RAIL-08 SPACE             |
| 7 | 1   | 83-012      | BADGE - GRUNDORF TOUR 8 SERIES |



FRONT VIEW



SIDE VIEW